



AMELICOR
The Core of Better Future

klimaoprema | AMELICOR Engineering | MCRT
Medical Equipment Technology Center

Cleanroom Filtration



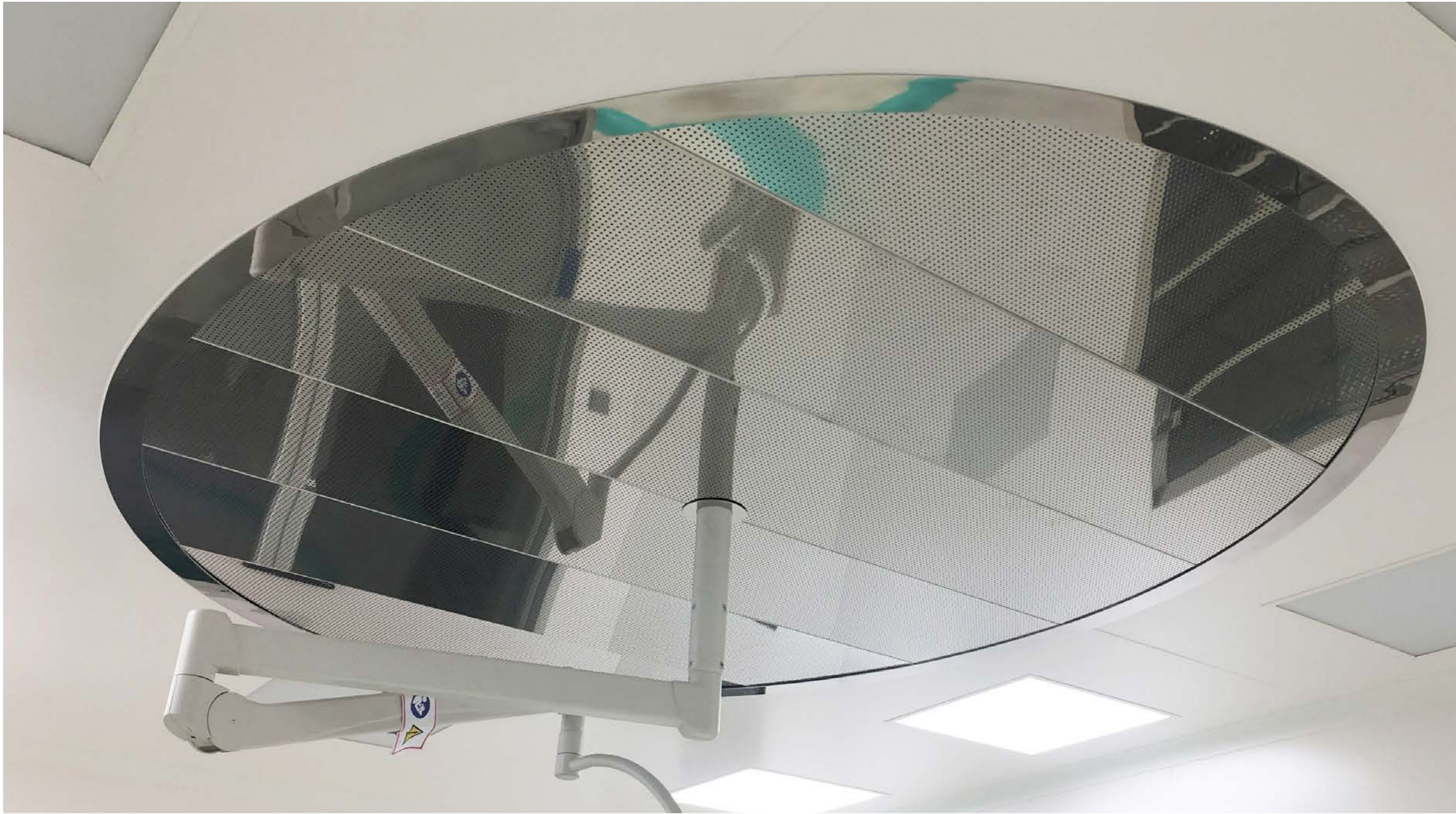


Cleanroom filtration

Clean and sterile air in a cleanroom zone is provided by absolute filters. If even greater safety in terms of sterility is required, behind the absolute filter UV lamp is installed. Cleanroom classes are classified according to ISO 14644-1 (purity classes 1-8), U.S.F.S. 209 E and EU GMP standards (purity classes A, B, C, D). The classes define max. permitted no. of particles per m³, no. of air changes, velocity, min. ceiling coverage by filters, filter type, exhaust air openings, positive pressure, temperature, humidity and other parameters.

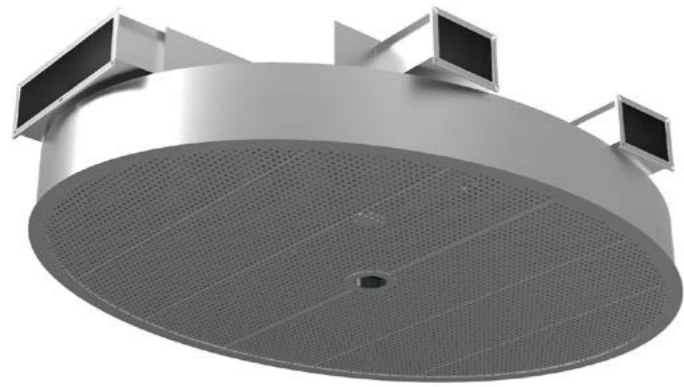
Icon legend:

	Made out of 304/316 stainless steel sheet		ULPA filter
	Polished surface		HEPA filter
	Satin surface		Efficiency 99,995% MPPS according to EN 1822 standard
	Made out of galvanized steel		G4 filter
	Made out of aluminum		M5/M6 filter
	Powder coated / PVC coated		F7/F8/F9 filter
	Standard 9010 RAL color		DOP connection
	Anodized aluminium		Regulation damper
	Perforated steel		Filters sealed according to casing
	Other dimension on request		Easy filter insertion and replacement
	Textile diffuser		Filter saturation control
	LED light		Safe operator working environment
	Air flow velocity above operation table between 0,15-0,30 m/s		Easy to clean and disinfect
	Mounted on ceiling and/or wall		Standard Ø110 opening for central light
	Requires filter with handle		Removing unpleasant smells
	Cooling option		Standard filter height 48mm. Other heights on request
	EC fan		



Operating room ventilation





ELIPSO

Operation ceiling

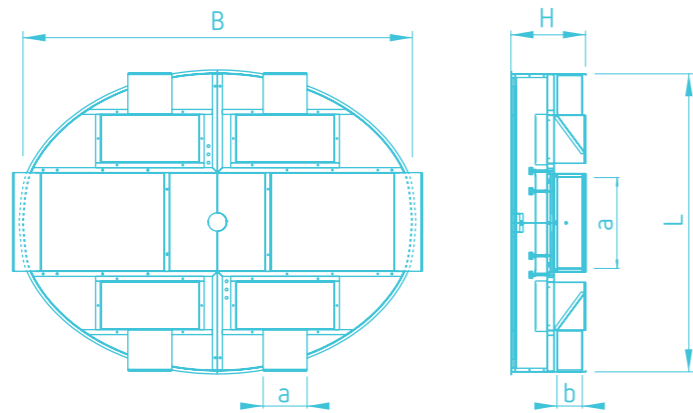
Material:



Standard options:



Other options:



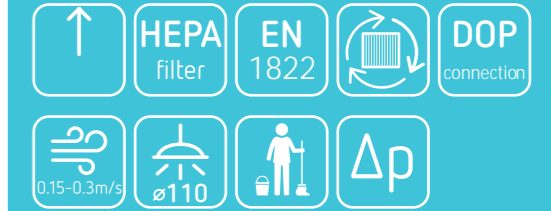
SIP

Operation ceiling

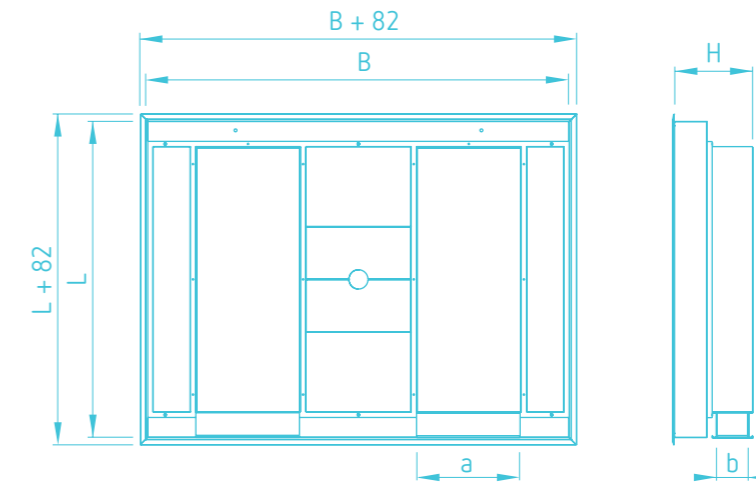
Material:



Standard options:



Other options:



Type	Casing dimension B x L x H (mm)	Duct connection a x b (mm)	HEPA filter dimension H14 (mm)	Air flow velocity (m/s)	Air flow (m³/h)
ELIPSO 2418	2400 x 1800 x 450	550 x 150 (2 pcs.) 220 x 150 (4 pcs.)	762 x 610 x 69 (2 pcs.) 610 x 305 x 69 (4 pcs.)	0.15	1740
				0.20	2320
				0.25	2900
				0.30	3480
ELIPSO 3024	3000 x 2400 x 525	550 x 200 (2 pcs.) 450 x 200 (4 pcs.)	915 x 610 x 69 (2 pcs.) 762 x 610 x 69 (4 pcs.)	0.15	2930
				0.20	3900
				0.25	4880
				0.30	5850
ELIPSO 3526	3500 x 2600 x 530	550 x 200 (2 pcs.) 600 x 200 (4 pcs.)	1220 x 610 x 69 (2 pcs.) 915 x 610 x 69 (4 pcs.)	0.15	3780
				0.20	5040
				0.25	6300
				0.30	7560

Type	Casing dimension B x L x H (mm)	Duct connection a x b (mm)	HEPA filter dimension H14 (mm)	Air flow velocity (m/s)	Air flow (m³/h)
SIP 2014	2000 x 1400 x 450	540 x 180 (2 pcs.)	1220 x 610 x 69 (2 pcs.)	0.15	1500
				0.20	2000
				0.25	2500
				0.30	3000
SIP 2418	2400 x 1800 x 450	540 x 180 (2 pcs.)	1525 x 610 x 69 (2 pcs.)	0.15	2300
				0.20	3000
				0.25	3800
				0.30	4600
SIP 2424	2400 x 2400 x 450	690 x 180 (2 pcs.)	1830 x 762 x 69 (2 pcs.)	0.15	3100
				0.20	4100
				0.25	5100
				0.30	6200
SIP 3030	3000 x 3000 x 450	805 x 200 (4 pcs.)	1220 x 915 x 69 (4 pcs.)	0.15	4.860
				0.20	6.480
				0.25	8.100
				0.30	9.720

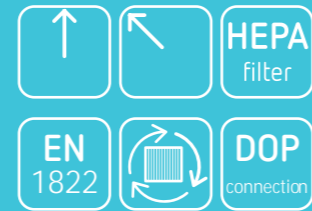


KIK Inclined outflow box

Material:



Standard options:



Other options:



OPR-CR Exhaust surgical grille

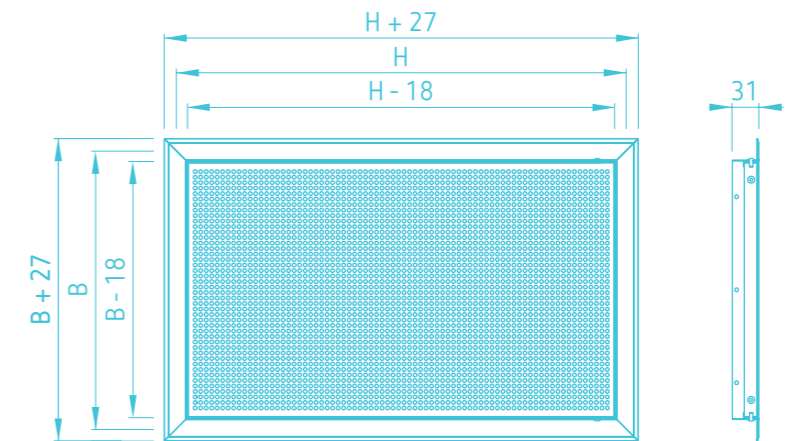
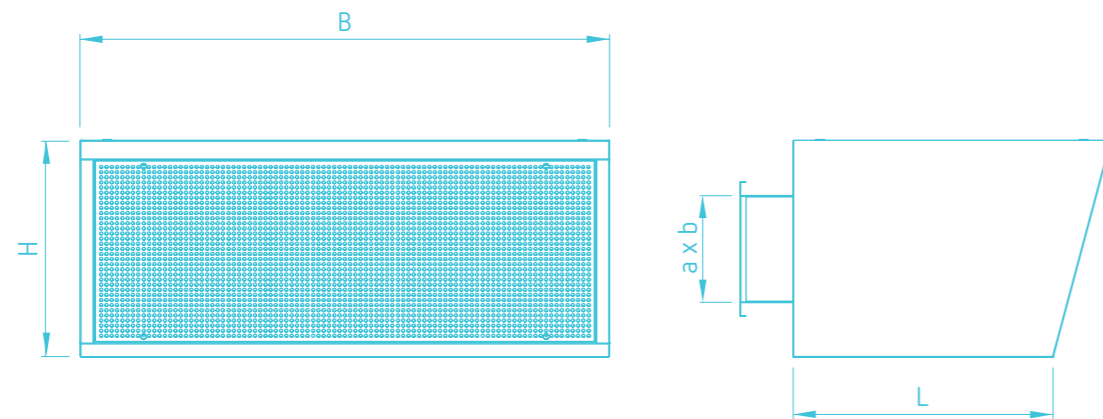
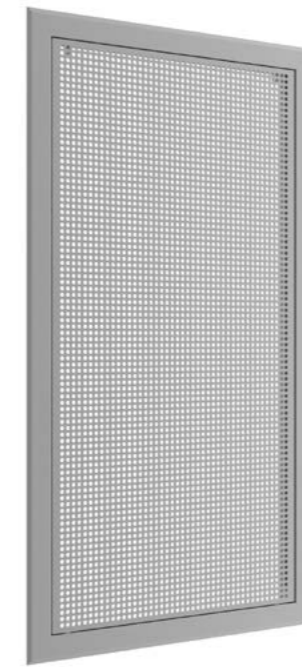
Material:



Standard options:

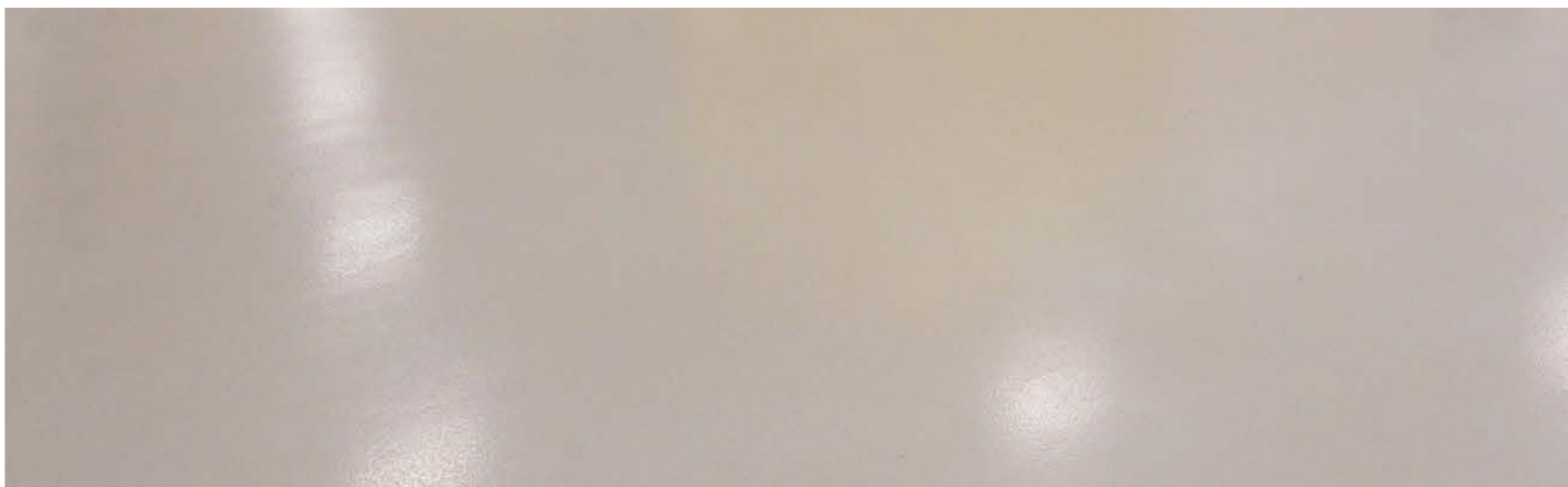
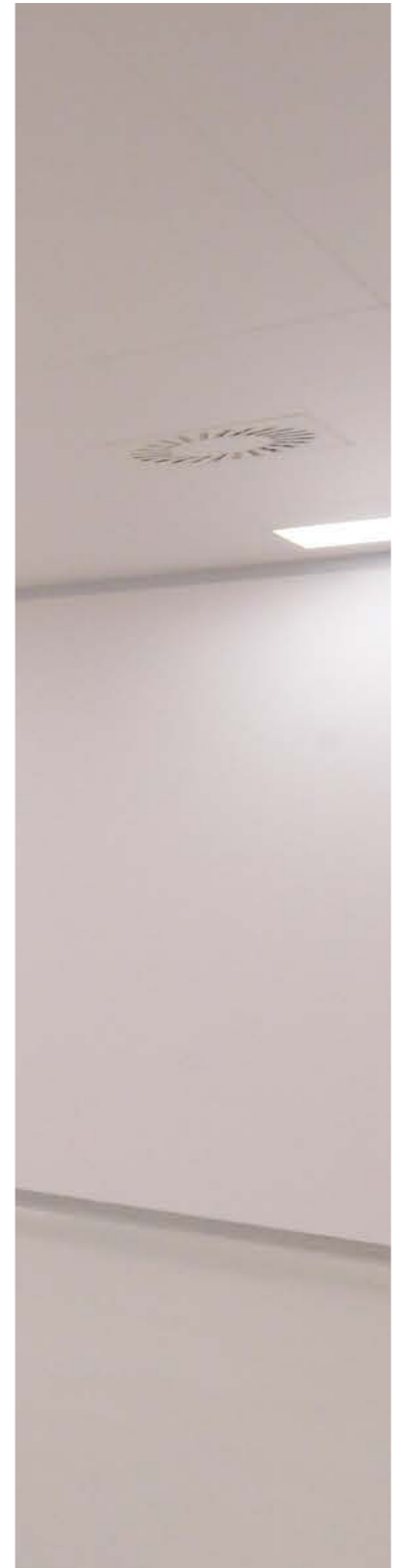


Other options:



Type	Casing dimension B x H x L (mm)	Duct connection a x b (mm)	Filter dimension (mm)	Number of filters (pcs.)	Q _{nom} [m ³ /h]	Δp _{nom} [Pa]
KIK 1000	1000 x 410 x 490	200 x 600	305 x 610 x 292	1	1000	250
KIK 1500	1000 x 410 x 490	200 x 600	305 x 610 x 292	1	1500	250
KIK 2000	2000 x 410 x 720	200 x 1200	305 x 610 x 292	2	2000	250
KIK 3000	2000 x 410 x 720	200 x 1200	305 x 610 x 292	2	3000	250

Type	Nominal dimension B x L (mm)	Frame dimension B+27 x L+27 (mm)	Installation opening B-10 x B-10 (mm)	A _{ef} [m ²]	Q _{nom} [m ³ /h]	Δp _{nom} (G4) [Pa]	Δp _{nom} (M5) [Pa]	Δp _{max} [Pa]
OPR-CR	225 x 325	252 x 352	215 x 315	0,017	300	63	85	250
	275 x 275	302 x 302	265 x 265	0,018	310	63	85	250
	225 x 425	252 x 452	215 x 415	0,024	400	63	85	250
	225 x 525	252 x 552	215 x 515	0,031	500	63	85	250
	325 x 425	352 x 452	315 x 415	0,039	600	63	85	250
	325 x 525	352 x 552	315 x 515	0,049	755	64	86	250
	435 x 435	462 x 462	425 x 425	0,056	845	64	86	250
	325 x 625	352 x 652	315 x 615	0,06	905	64	86	250
	475 x 475	502 x 502	465 x 465	0,069	1020	64	86	250



Ceiling filter box





FAC-V

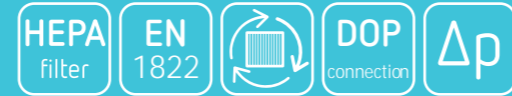
Material (casing):



Material (diffuser):



Standard options:



Other options:



FAC-HO

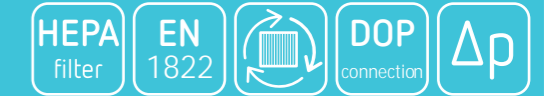
Material (casing):



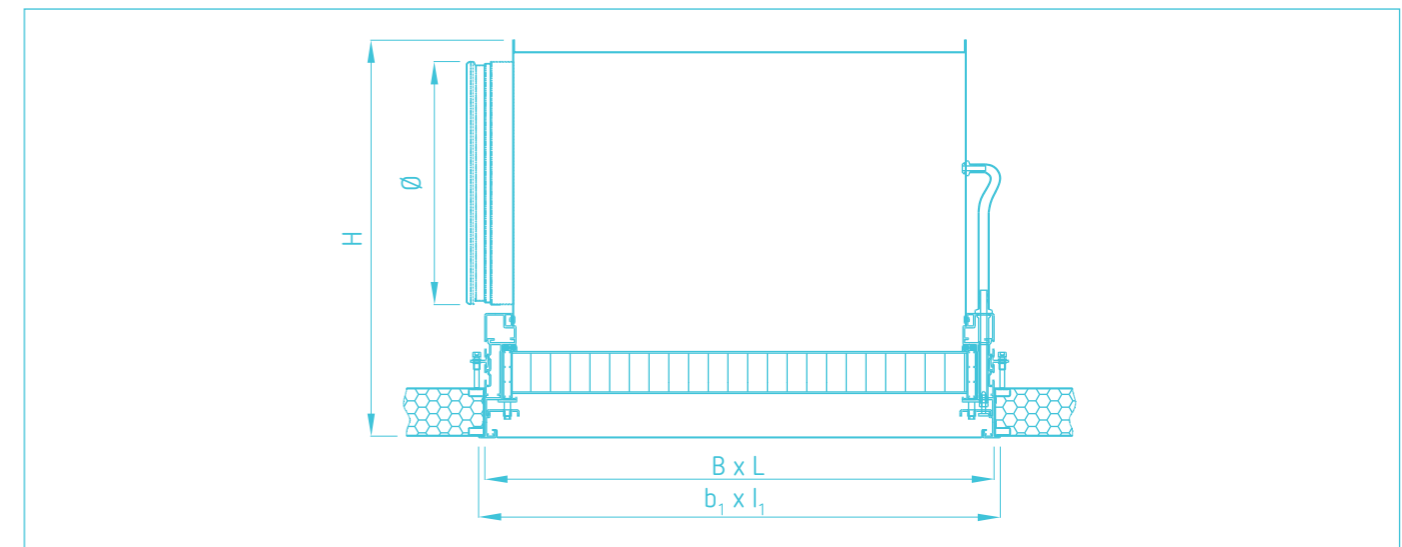
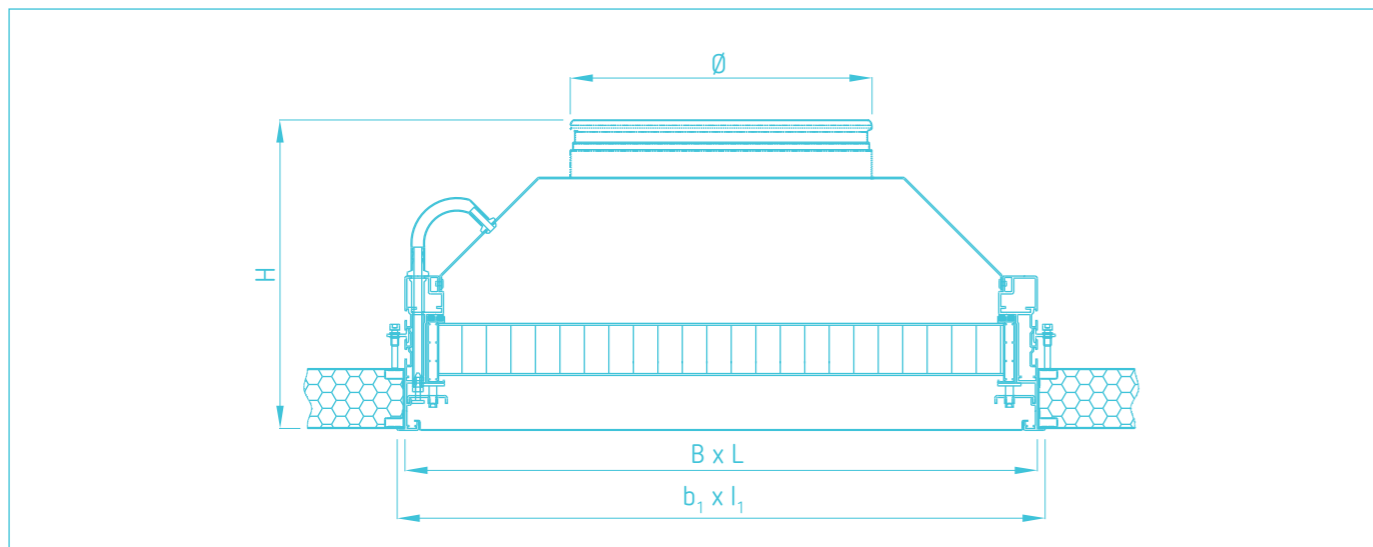
Material (diffuser):



Standard options:



Other options:



Type	Casing dimension B x L x H (mm)	Connection Ø (mm)	Casing frame dimension b ₁ x l ₁ (mm)	Filter dimension (mm)	Thickness
FAC-V	351 x 351 x 260	158	367 x 367	305 x 305	66
	503 x 503 x 290	248	519 x 519	457 x 457	66
	581 x 581 x 315	248	597 x 597	535 x 535	66
	621 x 621 x 315	298	637 x 637	575 x 575	66
	656 x 656 x 315	313	672 x 672	610 x 610	66

Type	Casing dimension B x L x H (mm)	Connection Ø (mm)	Casing frame dimension b ₁ x l ₁ (mm)	Filter dimension (mm)	Thickness
FAC-HO	351 x 351 x 360	158	367 x 367	305 x 305	66
	503 x 503 x 450	248	519 x 519	457 x 457	66
	581 x 581 x 450	248	597 x 597	535 x 535	66
	621 x 621 x 520	313	637 x 637	575 x 575	66
	656 x 656 x 520	313	672 x 672	610 x 610	66



FAC-H

Material (casing):

Fe Al PC RAL 9010

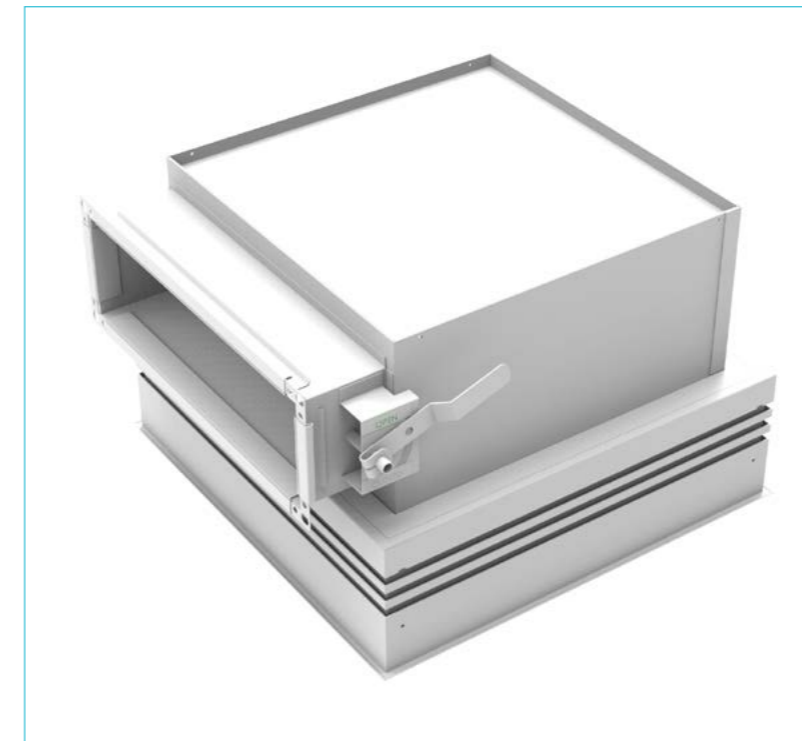
Material (diffuser):

Fe PC RAL 9010

Standard options:

HEPA filter EN 1822 DOP connection Δp

Other options:



FAC-HZ

Material (casing):

Fe Al PC RAL 9010

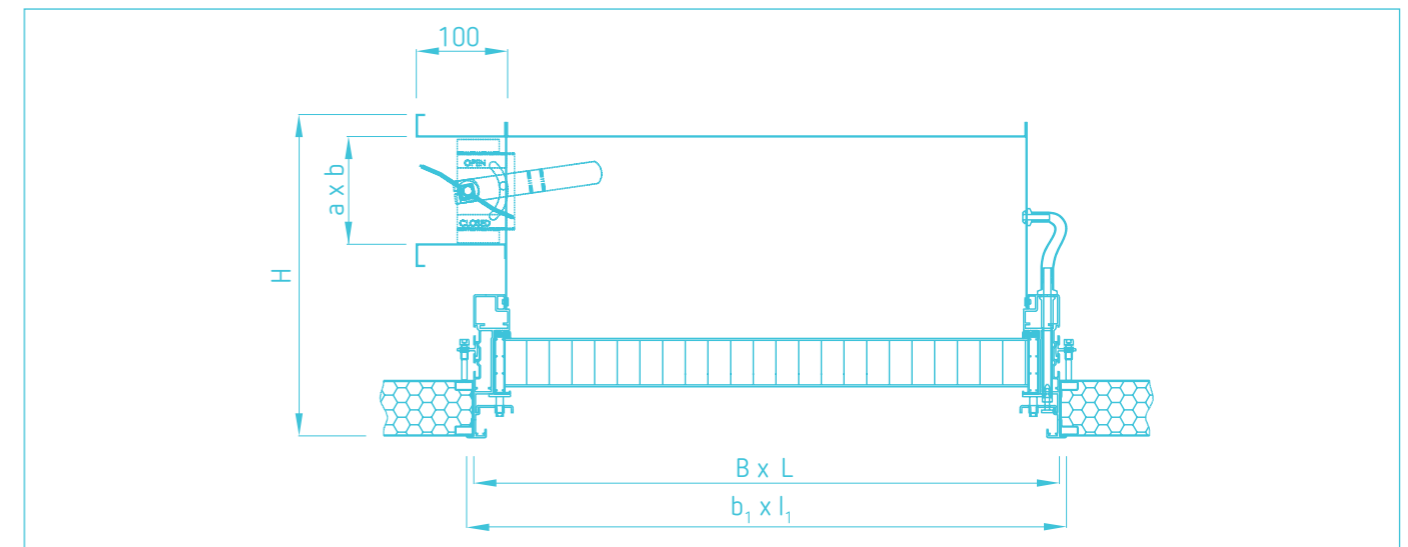
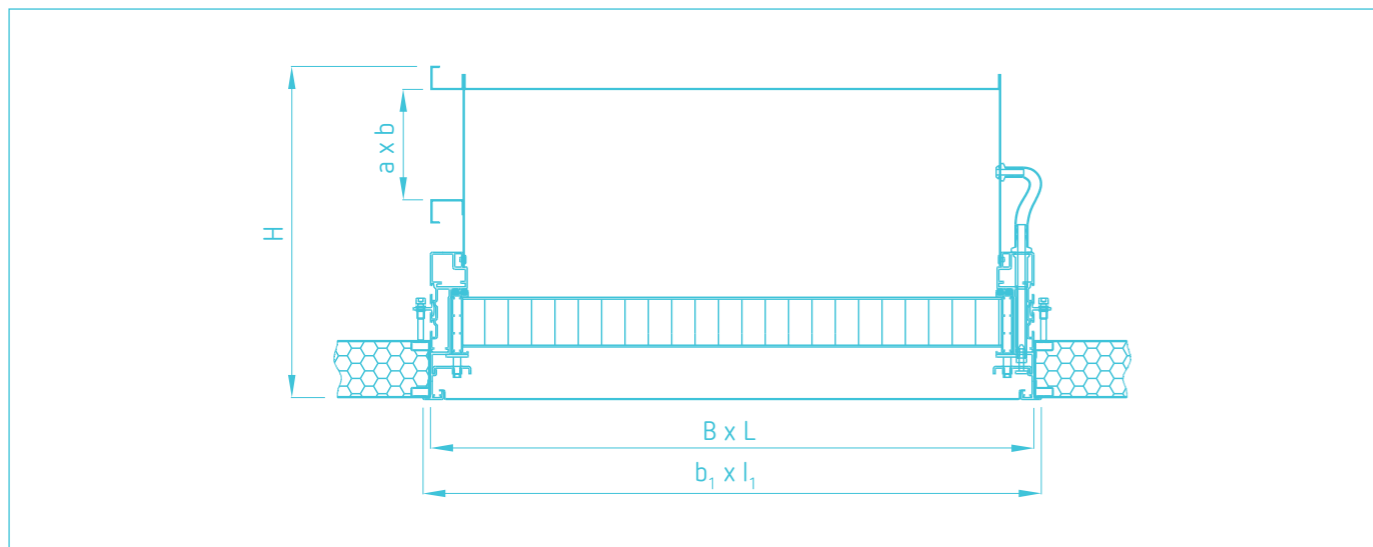
Material (diffuser):

Fe PC RAL 9010

Standard options:

HEPA filter EN 1822 DOP connection Δp

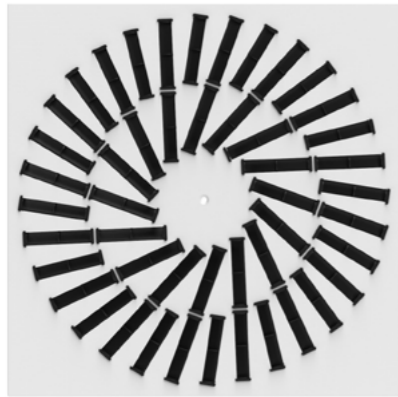
Other options:



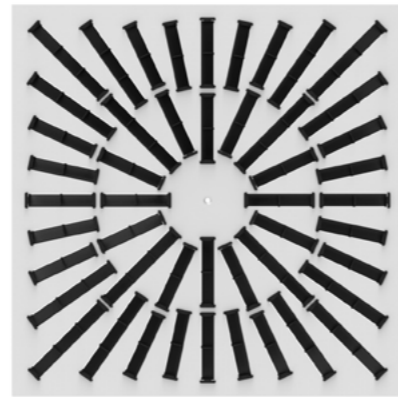
Type	Casing dimension B x L x H (mm)	Duct connection a x b (mm)	Casing frame dimension b ₁ x l ₁ (mm)	Filter dimension (mm)	Thickness
FAC-H	351 x 351 x 360	120 x 250	367 x 367	305 x 305	66
	503 x 503 x 360	120 x 400	519 x 519	457 x 457	66
	581 x 581 x 360	120 x 475	597 x 597	535 x 535	66
	621 x 621 x 360	120 x 520	637 x 637	575 x 575	66
	656 x 656 x 360	120 x 550	672 x 672	610 x 610	66

Type	Casing dimension B x L x H (mm)	Duct connection a x b (mm)	Casing frame dimension b ₁ x l ₁ (mm)	Filter dimension (mm)	Thickness
FAC-HZ	351 x 351 x 360	120 x 250	367 x 367	305 x 305	66
	503 x 503 x 360	120 x 400	519 x 519	457 x 457	66
	581 x 581 x 360	120 x 475	597 x 597	535 x 535	66
	621 x 621 x 360	120 x 520	637 x 637	575 x 575	66
	656 x 656 x 360	120 x 550	672 x 672	610 x 610	66

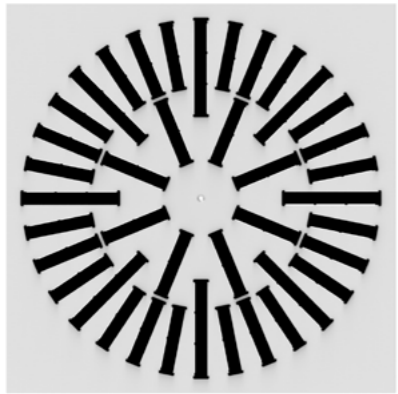
Diffuser plates



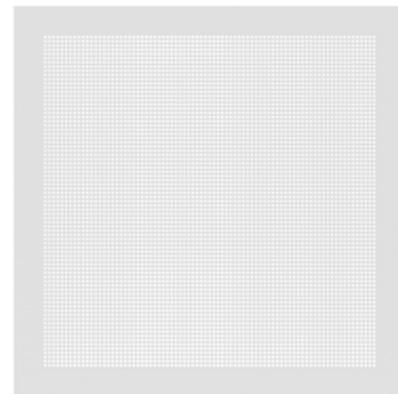
DEV



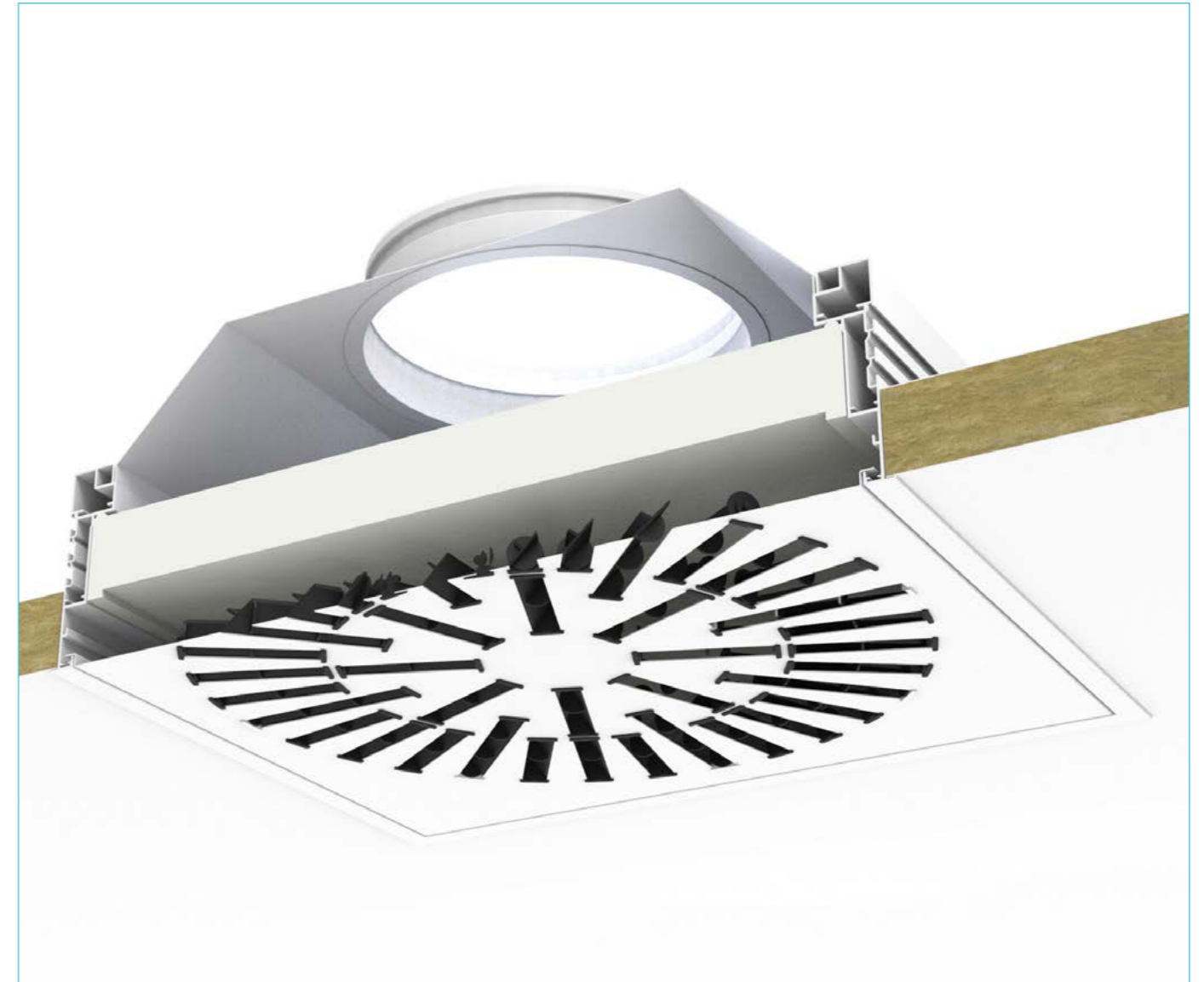
DEU



DEK



ANP



Technical information

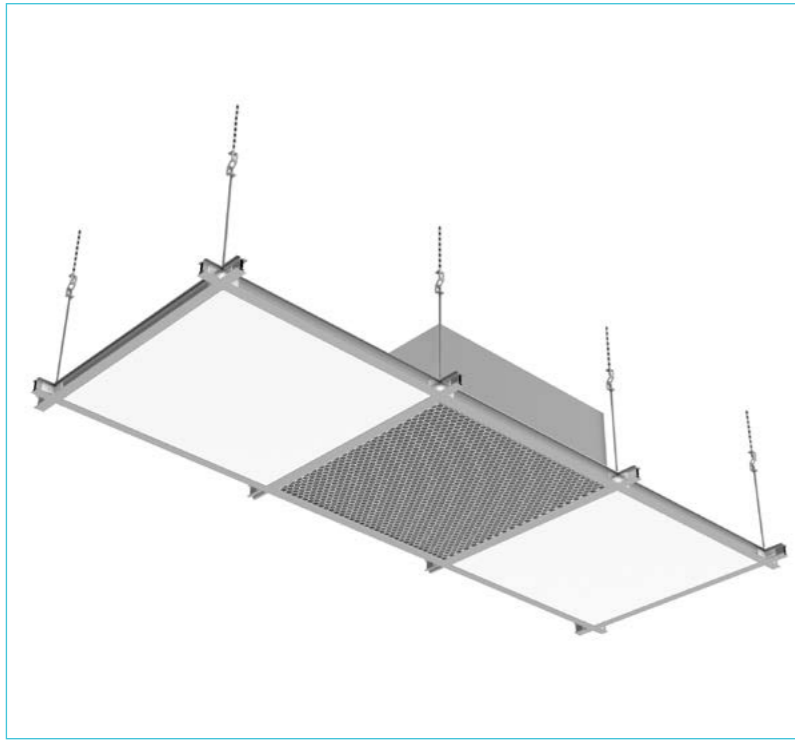
	Camfil							
	H13				H14			
	Q_{nom} [m³/h]	Q_{max} [m³/h]	Δp_{nom} [Pa]	Δp_{max} [Pa]	Q_{nom} [m³/h]	Q_{max} [m³/h]	Δp_{nom} [Pa]	Δp_{max} [Pa]
351 x 351 x H	150	300	120	250	150	210	145	202
503 x 503 x H	340	700	115	250	340	480	145	203
581 x 581 x H	465	970	115	250	465	670	140	205
621 x 621 x H	535	1130	115	250	535	780	140	206
656 x 656 x H	600	1270	115	250	600	880	140	207

	Alternative							
	H13				H14			
	Q_{nom} [m³/h]	Q_{max} [m³/h]	Δp_{nom} [Pa]	Δp_{max} [Pa]	Q_{nom} [m³/h]	Q_{max} [m³/h]	Δp_{nom} [Pa]	Δp_{max} [Pa]
351 x 351 x H	150	250	100	170	150	250	125	210
503 x 503 x H	340	565	100	170	340	565	125	210
581 x 581 x H	465	775	100	170	465	775	125	210
621 x 621 x H	535	895	100	170	535	895	125	210
656 x 656 x H	600	1005	100	170	600	1005	125	210



Ceiling filter box





FFU-R Filter fan unit - Raster

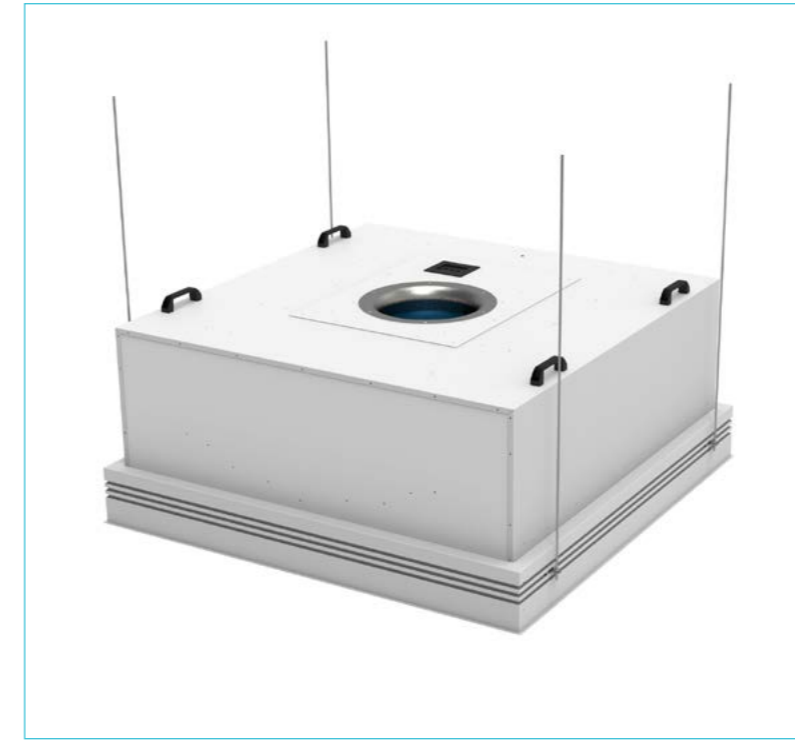
Material:



Standard options:



Other options:



FFU-S Filter fan unit - Standalone

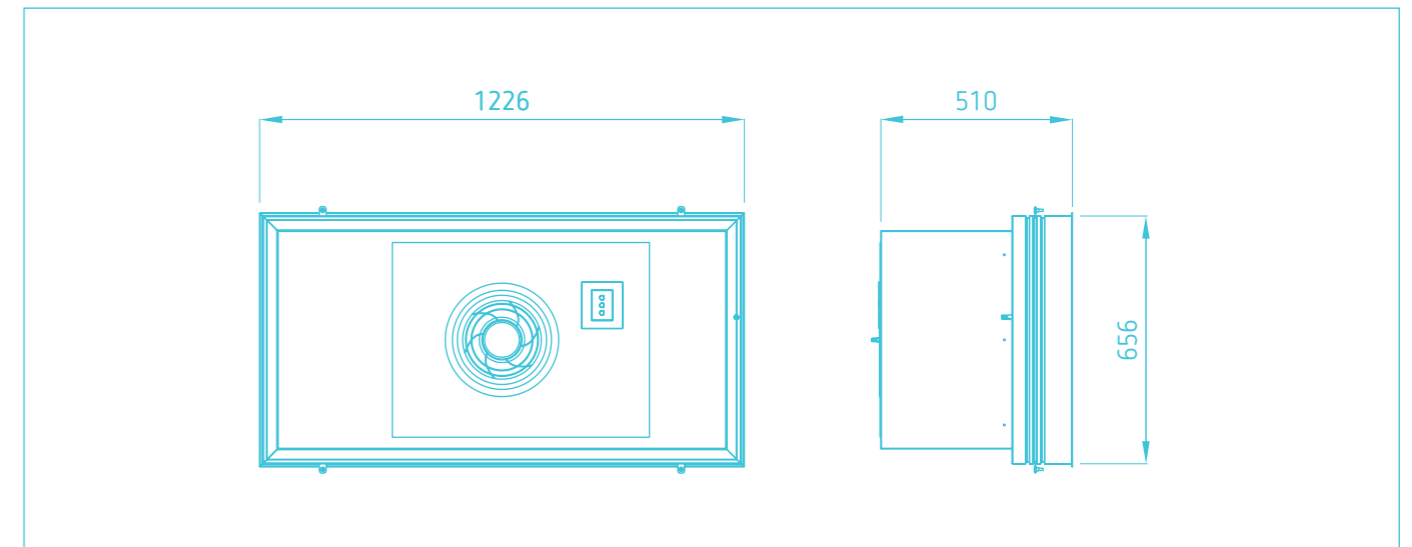
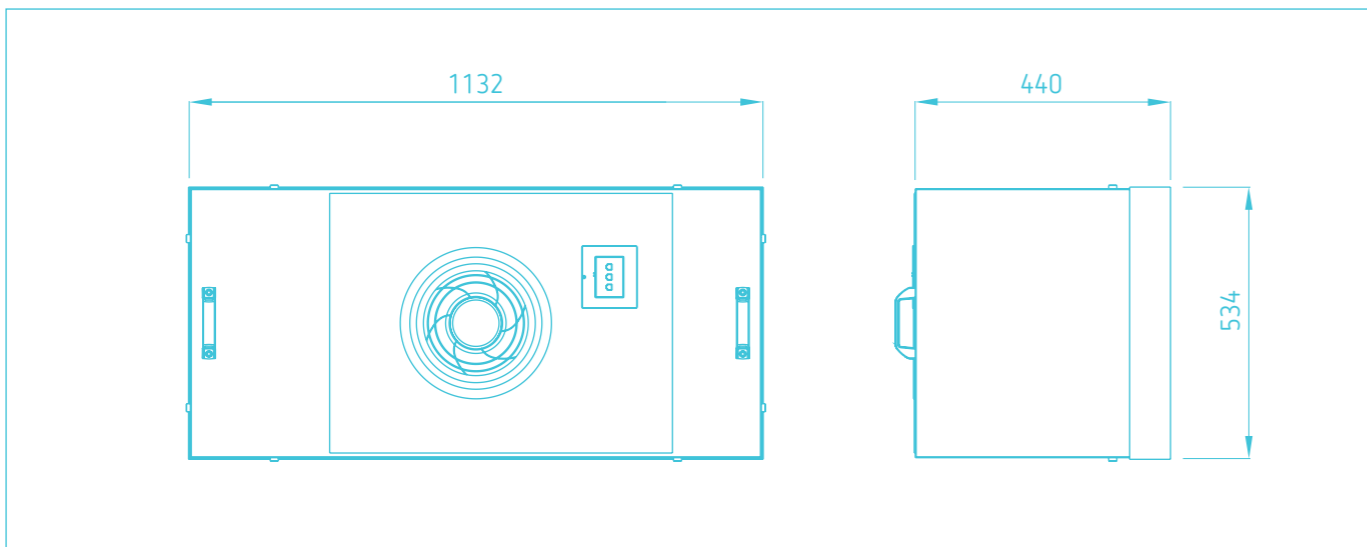
Material:



Standard options:

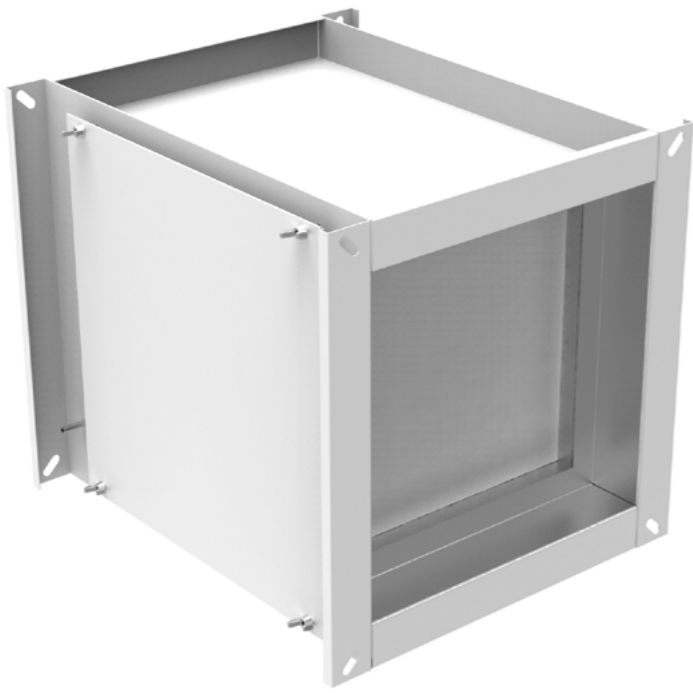


Other options:



FFU-R 1140 x 540				FFU-R 1140 x 1140				
	Silent	Optimum	Basic	Silent	Optimum	Basic		
Unit size (mm)	1132 x 534 x 440			1132 x 1134 x 480				
Unit weight (kg)	45	42	36	69	67	55		
Air volume flow @ 0.45 m/s[m³/h]	1000	1000	1000	2105	2105	2105		
Power consumption @ 0.45 m/s(W)	66	68	72	165	160	160		
Nominal power (W)	500	500	500	500	500	500		
Fan rotation speed (rev/min)	1100	1100	1100	1000	1000	1000		
Noise	L ₁ [dB]	45,5	47	52,5	L ₁ [dB]	49	50	51,5
	L ₂ [dB]	46	48	53	L ₂ [dB]	50	53	56

FFU-S 1200 x 600				FFU-S 1200 x 1200				
	Silent	Optimum	Basic	Silent	Optimum	Basic		
Unit size (mm)	1266 x 656 x 510			1266 x 1266 x 550				
Unit weight (kg)	61	58	52	84	82	70		
Air volume flow @ 0.45 m/s[m³/h]	1205	1205	1205	2410	2410	2410		
Power consumption @ 0.45 m/s(W)	114	114	114	195	195	195		
Nominal power (W)	500	500	500	850	850	850		
Fan rotation speed (rev/min)	1330	1330	1330	1090	1090	1090		
Noise	L ₁ [dB]	48	50	55	L ₁ [dB]	53	54	55
	L ₂ [dB]	49	51	56	L ₂ [dB]	54	57	60



FAK Absolute duct filter box

Material:



Standard options:



Other options:



FAR Absolute duct filter box with grille for wall mounting

Material (casing):



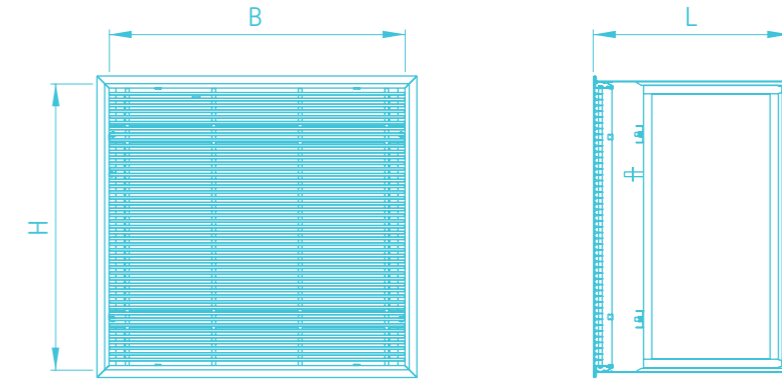
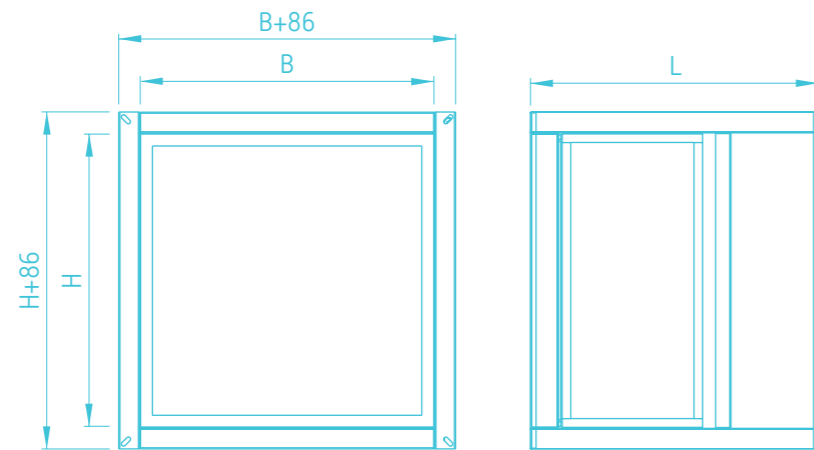
Material (grille):



Standard options:

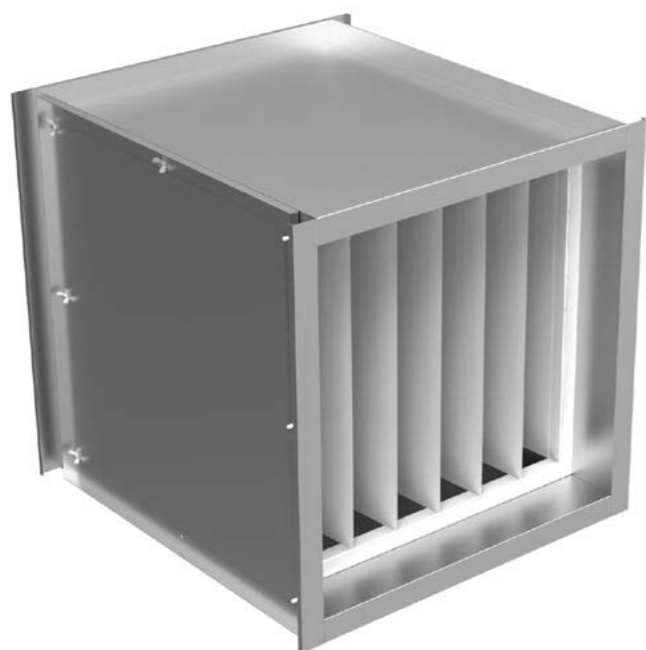


Other options:



Type	Casing dimension B x H x L (mm)	Filter dimension b x h x t (mm)	Q _{max} [m ³ /h]	Δp _{nom} (H13) [Pa]	Δp _{nom} (H14) [Pa]	Δp _{max} [Pa]
FAK	309 x 309 x 450	305 x 305 x 78	250	250	280	500
	461 x 461 x 450	457 x 457 x 78	570	250	280	500
	309 x 614 x 450	305 x 610 x 78	500	250	280	500
	614 x 614 x 450	610 x 610 x 78	1000	250	280	500
	309 x 309 x 600	305 x 305 x 292	500	250	280	500
	461 x 461 x 600	457 x 457 x 292	1140	250	280	500
	309 x 614 x 600	305 x 610 x 292	1000	250	280	500
	614 x 614 x 600	610 x 610 x 292	2000	250	280	500
	309 x 614 x 600 - max.	305 x 610 x 292 - max.	1500	250	280	500
	614 x 614 x 600 - max.	610 x 610 x 292 - max.	3400	250	280	500

Type	Casing dimension B x H x L (mm)	Filter dimension b x h x t (mm)	Q _{max} [m ³ /h]	Δp _{nom} (H13) [Pa]	Δp _{nom} (H14) [Pa]	Δp _{max} [Pa]
FAR	665 x 330 x 200	610 x 305 x 78	500	250	280	500
	665 x 330 x 420	610 x 305 x 292	1000	250	280	500
	665 x 630 x 200	610 x 610 x 78	1000	250	280	500
	665 x 630 x 420	610 x 610 x 292	2000	250	280	500



FKV-P Rectangular duct bag filter box

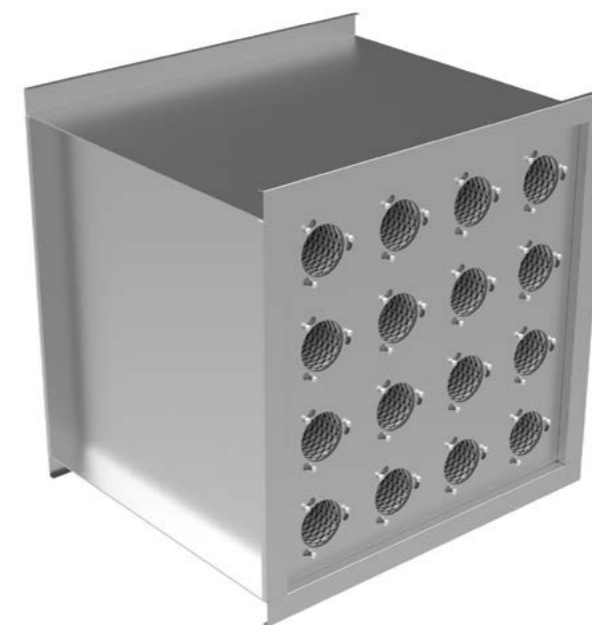
Material:

Fe

Standard options:



Other options:



FKU Duct filter box with active coal

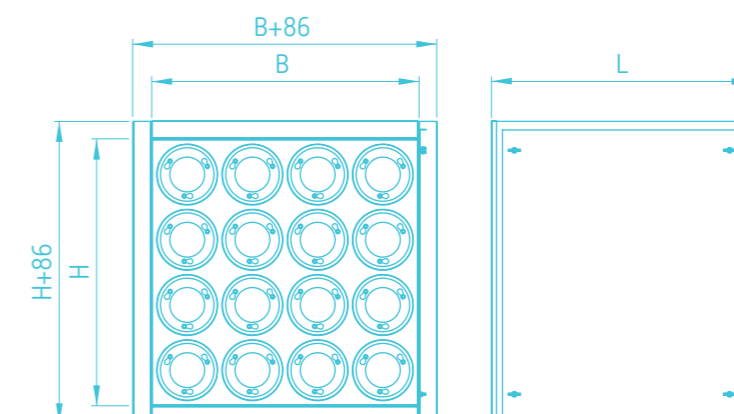
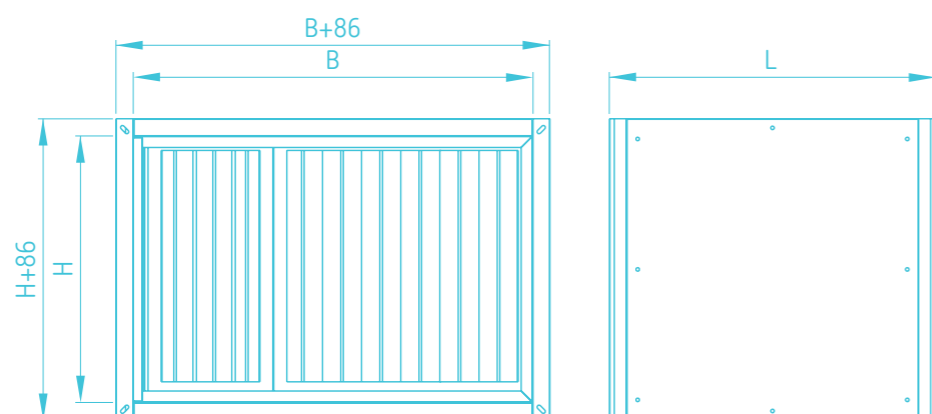
Material:

Fe

Standard options:



Other options:



Type	Casing dimension B x H x L (mm)	Bag filter dimension b x h x d (mm)	Q _{nom} (G4,M5) [m ³ /h]	Q _{nom} (F7,F9) [m ³ /h]	Δp _{nom} (G4) [Pa]	Δp _{nom} (M5) [Pa]	Δp _{nom} (F7) [Pa]	Δp _{nom} (F9) [Pa]
FKV-P	300 x 150 x 750	285 x 142 x 630	394	240	50	55	65	70
	400 x 200 x 750	385 x 192 x 630	720	439	62	72	80	95
	500 x 250 x 750	485 x 242 x 630	1143	697	65	75	85	102
	500 x 300 x 750	485 x 292 x 630	1380	841	68	80	96	104
	600 x 300 x 750	585 x 292 x 630	1664	1014	73	85	100	105
	600 x 350 x 750	585 x 342 x 630	1949	1188	78	92	106	137
	700 x 400 x 750	685 x 392 x 630	2616	1594	85	105	121	156
	800 x 500 x 750	785 x 492 x 630	3762	2293	112	120	160	195
1000 x 500 x 750	492 x 492 x 630 (x2)	4716	2874	142	161	208	267	

Type	Casing dimension B x H x L (mm)	Cartridge number (pcs.)	Filter dimension b x h x t (mm)	Air flow (m ³ /h)
FKU	309 x 309 x 600	4	305 x 305 x 430	850
	309 x 614 x 600	8	305 x 610 x 430	1600
	614 x 614 x 600	16	610 x 610 x 430	3200



SCU Safe change unit

Material:



Standard options:



Other options:



PSCU Prefilter safe change unit

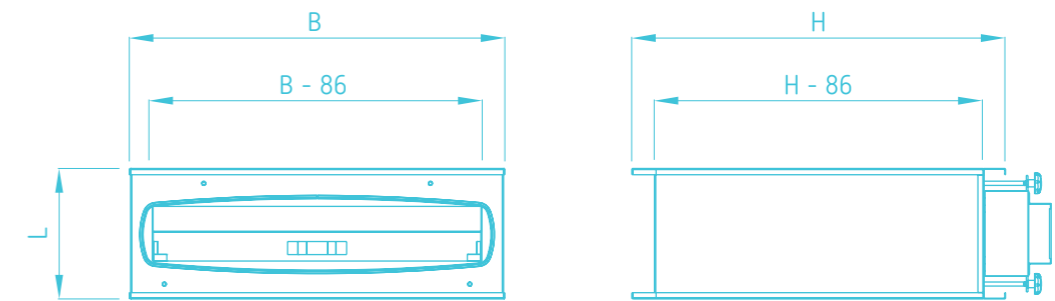
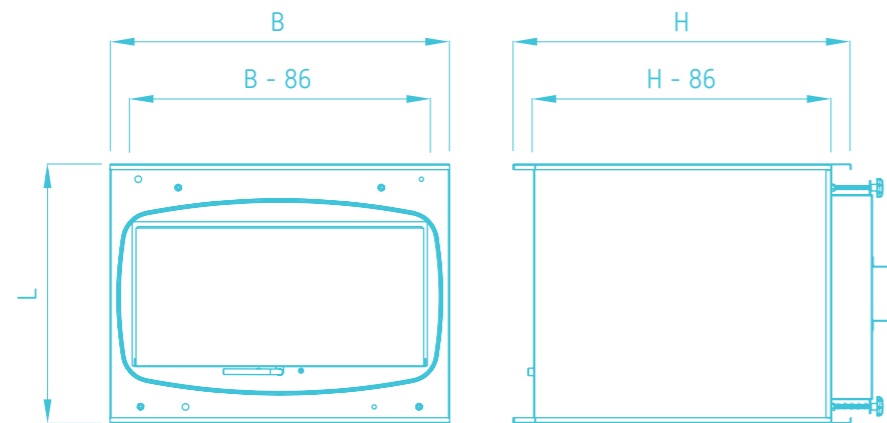
Material:



Standard options:

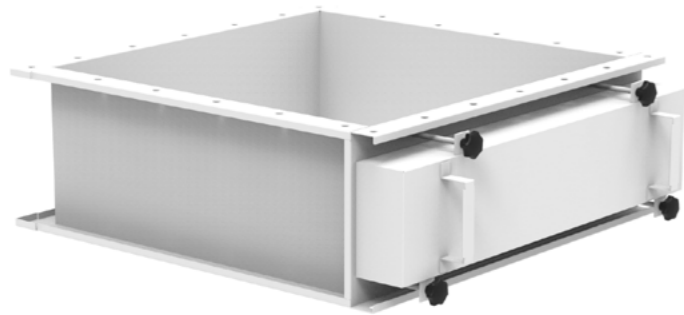


Other options:



Type	Nominal dimension B x H x L (mm)	Filter dimension b x h x t (mm)	H13 (standard)		H13 (high flow)		H14 (standard)		H14 (high flow)	
			Q _{nom} [m ³ /h]	Δp _{nom} [Pa]	Q _{nom} [m ³ /h]	Δp _{nom} [Pa]	Q _{nom} [m ³ /h]	Δp _{nom} [Pa]	Q _{nom} [m ³ /h]	Δp _{nom} [Pa]
SCU	720 x 411 x 550	610 x 305 x 292	1600	250	-	-	1350	290	1500	310
	720 x 716 x 550	610 x 610 x 292	3400	250	4000	240	3200	290	4000	310
	720 x 868 x 550	610 x 762 x 292	4250	250	6000	380	4100	290	6000	380

Type	Nominal dimension B x H x L (mm)	Filter dimension b x h x t (mm)	Q _{nom} [m ³ /h]	Δp _{nom} (G4) [Pa]	Δp _{nom} (F7) [Pa]
PSCU	720 x 411 x 250	610 x 305 x 48	1800	100	-
	720 x 716 x 250	610 x 610 x 48	3600	100	-
	720 x 868 x 250	610 x 762 x 48	5400	100	-
	720 x 411 x 250	610 x 305 x 48	1450	-	120
	720 x 716 x 250	610 x 610 x 48	2900	-	120
	720 x 868 x 250	610 x 762 x 48	4350	-	120
	720 x 411 x 250	610 x 305 x 96	1450	-	90
	720 x 716 x 250	610 x 610 x 96	2900	-	90
720 x 868 x 250	610 x 762 x 96	4350	-	90	



VSPU Validation scan port unit

Material:



Other options:



CRWPAN-E Exhaust panel

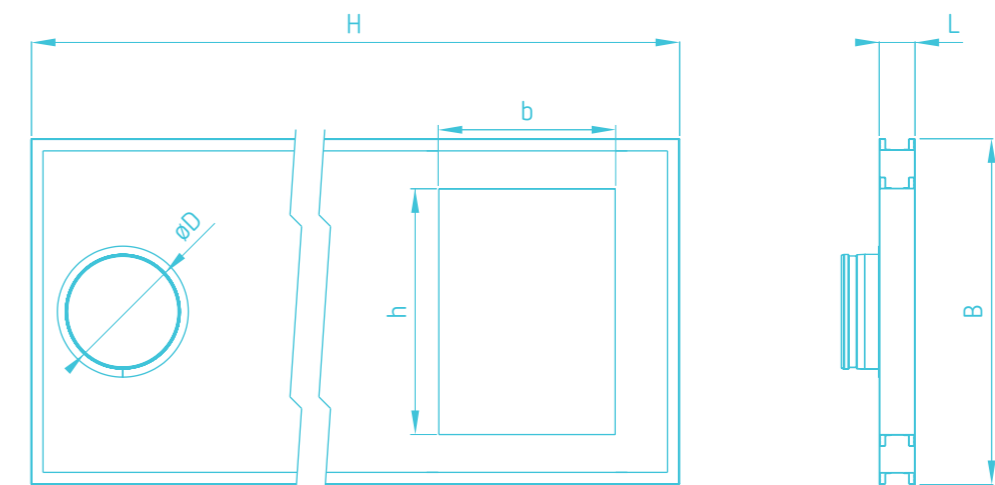
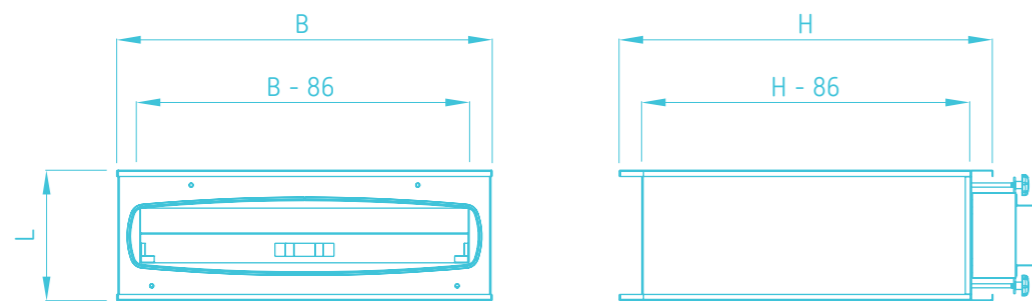
Material (casing):



Material (grille):



Other options:



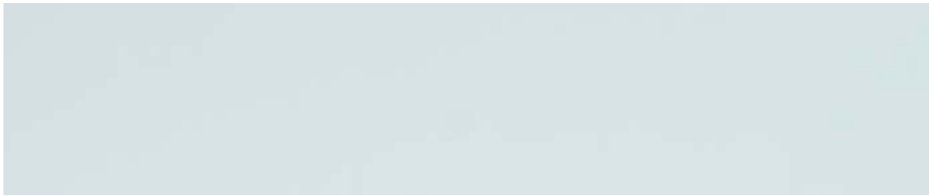
Type	Nominal dimension B x H x L (mm)
PSCU	720 x 411 x 250
	720 x 716 x 250
	720 x 868 x 250

Type	Panel thickness L t _p (mm)	Panel width B (mm)	Panel height H (mm)	Q _{max} [m ³ /h]	Duct connection øD (mm)	Exhaust grille b x h (mm)
CRWPAN 62	62	300	3300	140	158	175 x 325
		600	3300	370	198	425 x 325
		900	3300	620	248	625 x 325
		1200	3300	720	248	625 x 325
Type	Panel thickness L t _p (mm)	Panel width B (mm)	Panel height H (mm)	Q _{max} [m ³ /h]	Duct connection øD (mm)	Exhaust grille b x h (mm)
CRWPAN 82	82	300	3400	210	158	175 x 525
		600	3400	420	248	425 x 525
		900	3400	680	313	625 x 525
		1200	3400	800	313	625 x 525



References





 **AMELICOR**
The Core of Better Future

 |  | 

 Ul. Dr. Franje Tuđmana 14b,
10431 Sveta Nedelja

 +385 (0)1 6264 475

 info@amelicor.group

 www.amicor.group

March, 2023

